

## Cleaning Hard Water Deposits from Heating Coils

1. In a five gallon pail mix your coil cleaning chemical according to instructions on the label. (See figure 1 for machines without a float tank).
2. Carefully pour mixture into float tank, if equipped. If there is not a float tank, attach a garden hose fitting from the assembled bucket to the inlet of the pressure washer.
3. Remove wand and spray gun from high pressure hose. Make sure the filter inside of the float tank or assembled bucket is properly attached.
4. Connect end of high pressure hose to discharge of machine. Place discharge end of hose into float tank or bucket.
5. Secure hose with cable tie. Turn on pump and let solution move through coils and back to your tank or bucket. Circulate for 2 to 4 hours. This must be closely monitored to make sure filter does not plug and cause pump to run dry.
6. Turn pump off. Remove solution by opening drain on float tank or by sucking dry with a shop vacuum.
7. Hook machine back up to fresh water and run for 15 to 20 minutes.
8. Re-install hose, spray gun and wand.

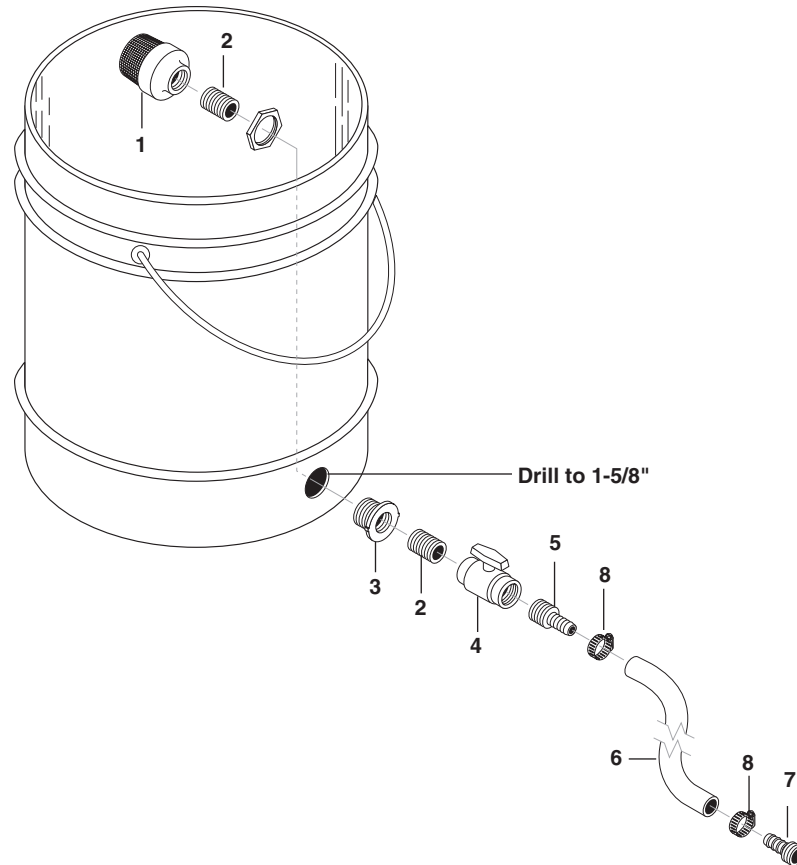
**Tip:** Tying up the discharge hose so that the stream hits the strainer will help keep it clear and prevent cleaning every few minutes.

## Coil Cleaning Bucket for Machines without Float Tanks

### Directions:

Drill hole in bucket to 1-5/8". Make sure hole is high enough to allow for screen inside bucket, approximately 2" from bottom of bucket. Install bulkhead fitting with nut inside bucket. Attach all fittings using thread sealing tape.

Figure 1



ITEM	PART NO.	DESCRIPTION	QTY
1	342308	Filter Tank Screen, 1/2" SS-50	1
2	2-1006	Nipple, 1/2" Close	2
3	141232	Bulkhead Fitting, 1/2" (1-5/8 Hole)	1
4	306448	Ball Valve, PVC Compact 1/2 FPT	1
5	140367	Hose Barb (BR) 3/4" x 1/2" MPT	1
6	4-02120000	Hose, 3/4" Push-On, per ft.	1
7	140307	Garden Hose Barb, 3/4" x 3/4" M	1
8	2-9004	Clamp, Screw, #12	2