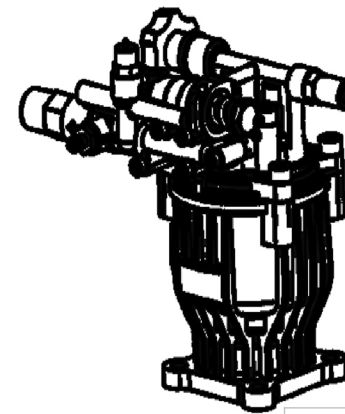
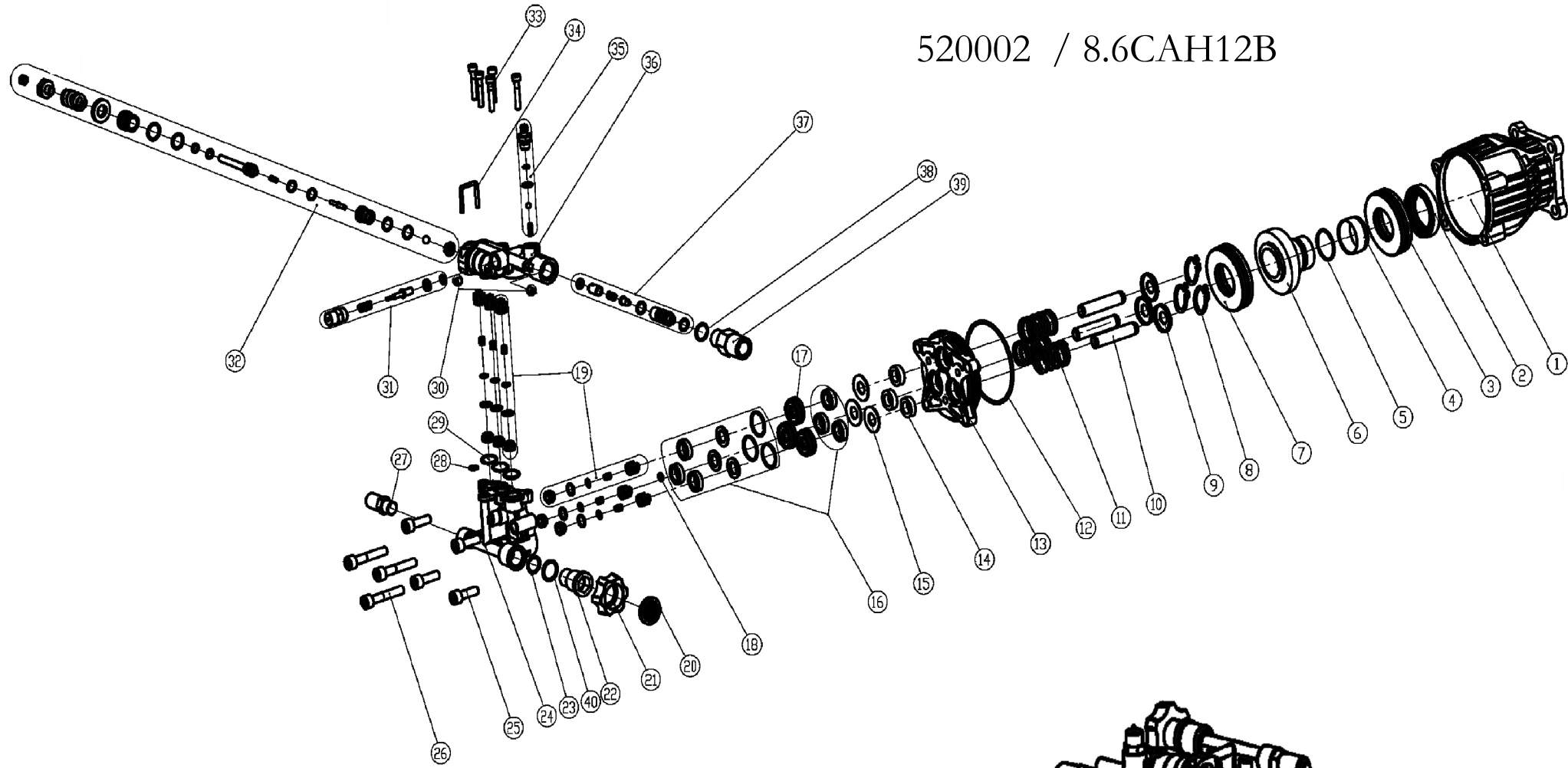


520002 / 8.6CAH12B



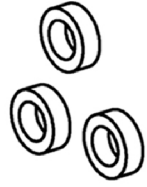
FNA-GROUP

1265 INDUSTRIAL STREET, DECATUR, AR 72722

TITLE:

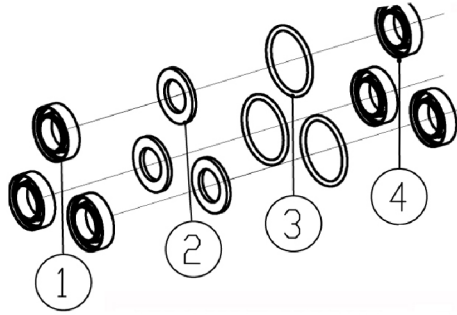
OEM PUMP
3100PSI @ 2.4GPM
HORIZONTAL AXIAL
WITH POWER BOOST

SIZE	DWG. NO.	REV.
A	520002	B
SCALE:	N/A	ECN#
		SHEET 1 OF 5



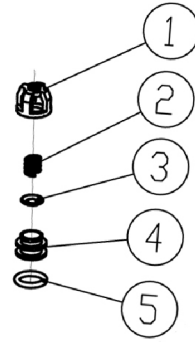
14 PART NO. 7105741

OIL SEAL KIT		
ITEM	QTY	DESCRIPTION
1	3	SEAL, OIL



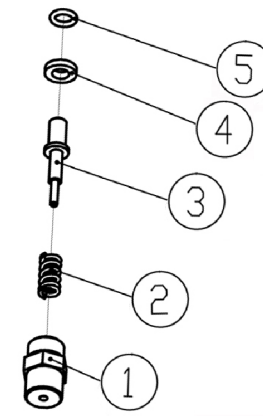
16 PART NO. 7106627

WATER SEAL KIT		
ITEM	QTY	DESCRIPTION
1	3	HIGH PRESSURE SEAL
2	3	BACK RING
3	3	O-RING
4	3	LOW PRESSURE SEAL



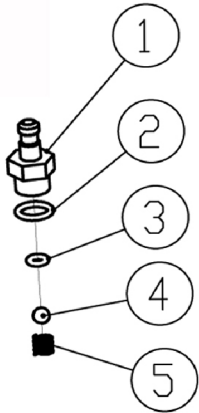
19 PART NO. 7104223

VALVE KIT		
ITEM	QTY	DESCRIPTION
1	6	VALVE CASE
2	6	SPRING
3	6	VALVE PLATE
4	6	VALVE SEAT
5	6	O-RING



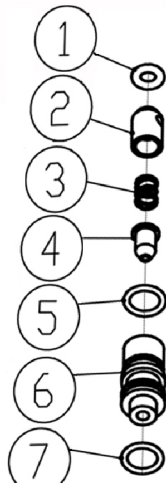
31 PART NO. 7106654

BOOST VALVE KIT		
ITEM	QTY	DESCRIPTION
1	1	VALVE CASE
2	1	VALVE SPRING
3	1	VALVE POLE
4	1	VALVE PLATE
5	1	O-RING



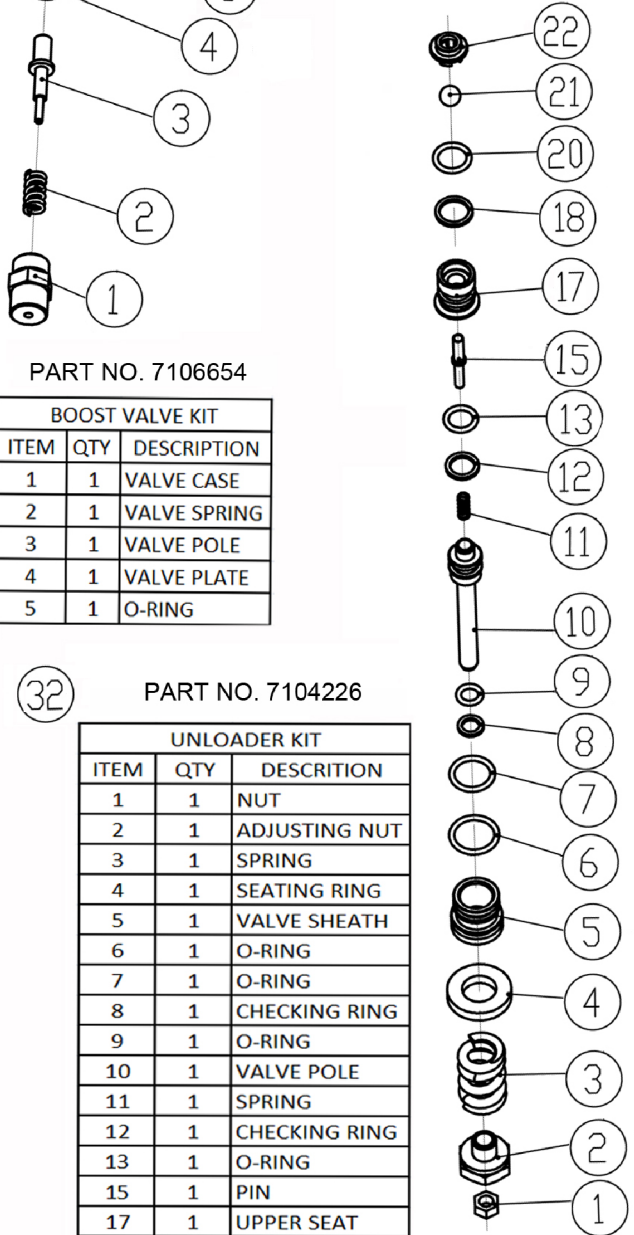
35 PART NO. 7104228

SOAP INJECTOR KIT		
ITEM	QTY	DESCRIPTION
1	1	HOSE BARB
2	1	O-RING
3	1	O-RING
4	1	STEEL BALL
5	1	SPRING



37 PART NO. 7106630

VENTURI TUBE KIT		
ITEM	QTY	DESCRIPTION
1	1	O-RING
2	1	CHECK VALVE CORE
3	1	CHECK VALVE SPRING
4	1	NOZZLE
5	1	O-RING
6	1	VENTURI TUBE
7	1	O-RING



32 PART NO. 7104226

UNLOADER KIT		
ITEM	QTY	DESCRIPTION
1	1	NUT
2	1	ADJUSTING NUT
3	1	SPRING
4	1	SEATING RING
5	1	VALVE SHEATH
6	1	O-RING
7	1	O-RING
8	1	CHECKING RING
9	1	O-RING
10	1	VALVE POLE
11	1	SPRING
12	1	CHECKING RING
13	1	O-RING
15	1	PIN
17	1	UPPER SEAT
18	1	CHECKING RING
20	1	O-RING
21	1	STEEL BALL
22	1	BACK SEAT

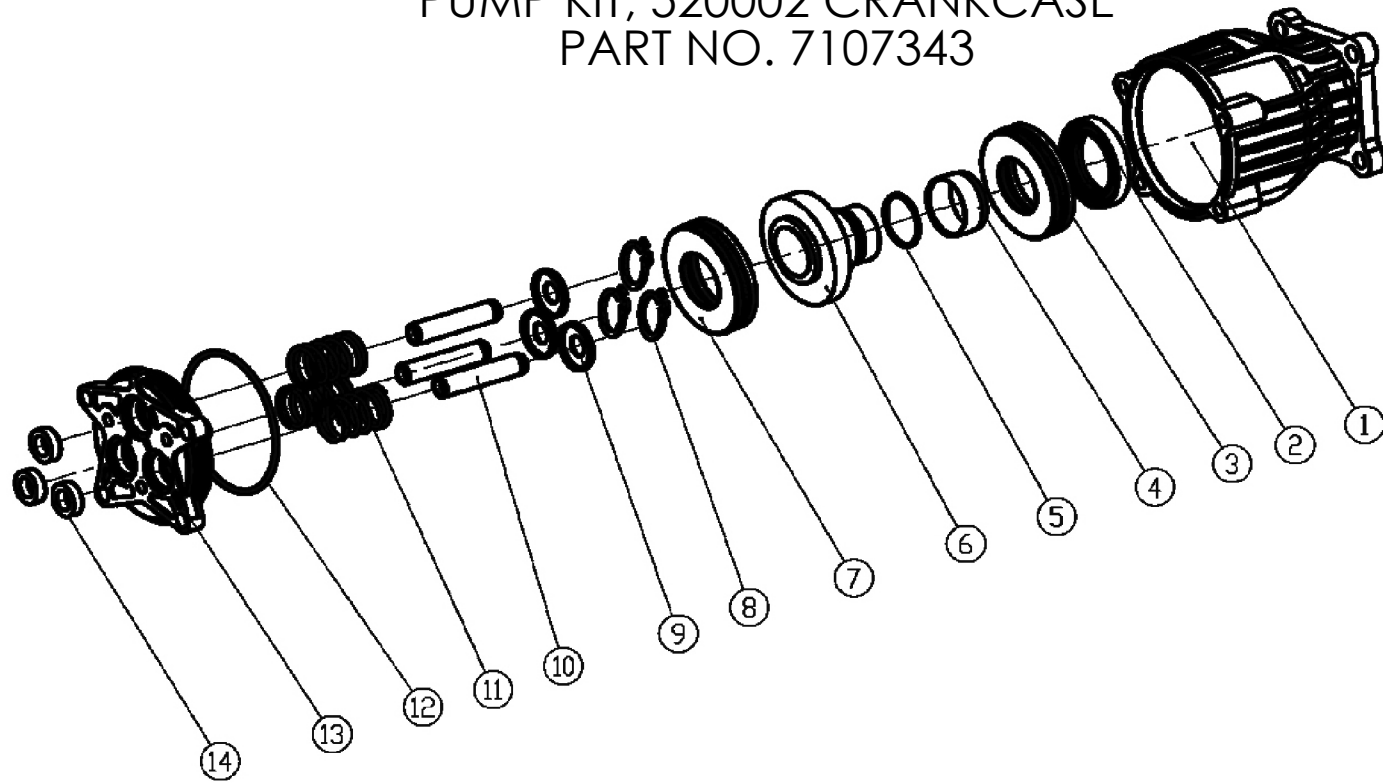
520002 PUMP DRAWING PARTS LIST

ITEM	PART NO.	DESCRIPTION	QTY PER PUMP	COMMENT
1	7106683	Case	1	
2	7106632	Oil Seal	1	
3	7106633	Thrusting Bearing 2	1	
4	7106673	Back Ring, Wobble Plate	1	
5	7106674	O-Ring	1	
6	7106675	Wobble Plate	1	
7	7106635	Thrusting Bearing 1	1	
8	7106636	Clip	3	
9	7106637	Spring Base	3	
10	7106638	Plunger	3	
11	7106639	Spring, Plunger	3	
12	7106676	O-Ring	1	
13	7106677	Base, Plunger	1	
14	7105741	Oil Seal	3	Oil Seal Kit
15	7106642	Back Ring	3	
16	7106627	High Pressure Water Seal	3	Water Seal Kit
		Back Ring		
		O-Ring		
		Low Pressure Water Seal		
17	7106643	Back Ring	3	
18	7106644	O-Ring	1	
19	7104223	Valve Case	6	Valve Kit (INLET AND OUTLET)
		Spring		
		Valve Plate		
		Valve Seat		
		O-Ring		
20	7000123	Filter Gasket	1	
21	7105705	Nut	1	
22	7106678	Inlet Connector	1	
23	7106651	O-Ring	1	
24	7106679	Pump Head	1	
25	7106648	Screw	4	
26	7106649	Screw	3	
27	7101359	Thermal Protector	1	
28	7106680	O-Ring	1	
29	7106681	O-Ring	3	
30	7005061	Nut Plug	2	

520002 PUMP DRAWING PARTS LIST

ITEM	PART NO.	DESCRIPTION	QTY PER PUMP	COMMENT
31	7106654	Boost Vavle Case	1	Pressure Boost Valve Kit
		Boost Valve Spring		
		Boost Valve Pole		
		Boost Valve Plate		
		O-Ring		
32	7104226	Nut	1	Unloader Kit
		Adjusting Nut		
		Spring		
		Seating Ring		
		Valve Sheath		
		O-Ring		
		O- Ring		
		Checking Ring		
		O-Ring		
		Valve Pole		
		Spring		
		Checking Ring		
		O-Ring		
		Pin		
		Upper Seat		
		Checking Ring		
		O-Ring		
		Steel Ball		
		Back Seat		
33	7106682	Screw	5	
34	7106655	U-Pin	1	
35	7104228	Nozzle	1	Soap Injector Kit
		O-Ring		
		O-Ring		
		Spring		
		Steel Ball		
36	7106687	Manifold	1	
37	7106630	O-Ring	1	Venturio Tube Kit
		Checking Valve Core		
		Checking Valve Spring		
		Nozzle		
		O-Ring		
		Venturi Tube		
		O-Ring		
38	7106651	O-Ring	1	
39	7106686	Outlet Connector	1	
40	7106652	O-Ring	1	

PUMP KIT, 520002 CRANKCASE
PART NO. 7107343



520002 PUMP DRAWING PARTS LIST

ITEM	PART NO.	DESCRIPTION	QTY PER PUMP	COMMENT
1	7106683	Case	1	
2	7106632	Oil Seal	1	
3	7106633	Thrusting Bearing 2	1	
4	7106673	Back Ring, Wobble Plate	1	
5	7106674	O-Ring	1	
6	7106675	Wobble Plate	1	
7	7106635	Thrusting Bearing 1	1	
8	7106636	Clip	3	
9	7106637	Spring Base	3	
10	7106638	Plunger	3	
11	7106639	Spring, Plunger	3	
12	7106676	O-Ring	1	
13	7106677	Base, Plunger	1	
14	7105741	Oil Seal	3	Oil Seal Kit

PUMP KIT, 520002 MANIFOLD PART NO. 7107344

520002 PUMP DRAWING PARTS LIST

15	7106642	Back Ring	3	
16	7106627	High Pressure Water Seal	3	Water Seal Kit
		Back Ring		
		O-Ring		
17	7106643	Low Pressure Water Seal	3	
		Back Ring		
18	7106644	O-Ring	1	
19	7104223	Valve Case	6	Valve Kit (INLET AND OUTLET)
		Spring		
		Valve Plate		
		Valve Seat		
		O-Ring		
20	7000123	Filter Gasket	1	
21	7105705	Nut	1	
22	7106678	Inlet Connector	1	
23	7106651	O-Ring	1	
24	7106679	Pump Head	1	
25	7106648	Screw	4	
26	7106649	Screw	3	
27	7101359	Thermal Protector	1	
28	7106680	O-Ring	1	
29	7106681	O-Ring	3	
30	7005061	Nut Plug	2	
31	7106654	Boost Valve Case	1	Pressure Boost Valve Kit
		Boost Valve Spring		
		Boost Valve Pole		
		Boost Valve Plate		
		O-Ring		
32	7104226	Nut	1	Unloader Kit
		Adjusting Nut		
		Spring		
		Sealing Ring		
		Valve Sheath		
		O-Ring		
		O-Ring		
		Checking Ring		
		O-Ring		
		Valve Pole		
		Spring		
		Checking Ring		
		O-Ring		
		Pin		
		Upper Seat		
Checking Ring				
O-Ring				
Steel Ball				
Back Seat				
33	7106682	Screw	5	
34	7106655	U-Pin	1	
35	7104228	Nozzle	1	Soap Injector Kit
		O-Ring		
		O-Ring		
		Spring		
		Steel Ball		
36	7106687	Manifold	1	
37	7106630	O-Ring	1	Venturio Tube Kit
		Checking Valve Core		
		Checking Valve Spring		
		Nozzle		
		O-Ring		
38	7106651	O-Ring	1	
39	7106688	Outlet Connector	1	
40	7106652	O-Ring	1	

