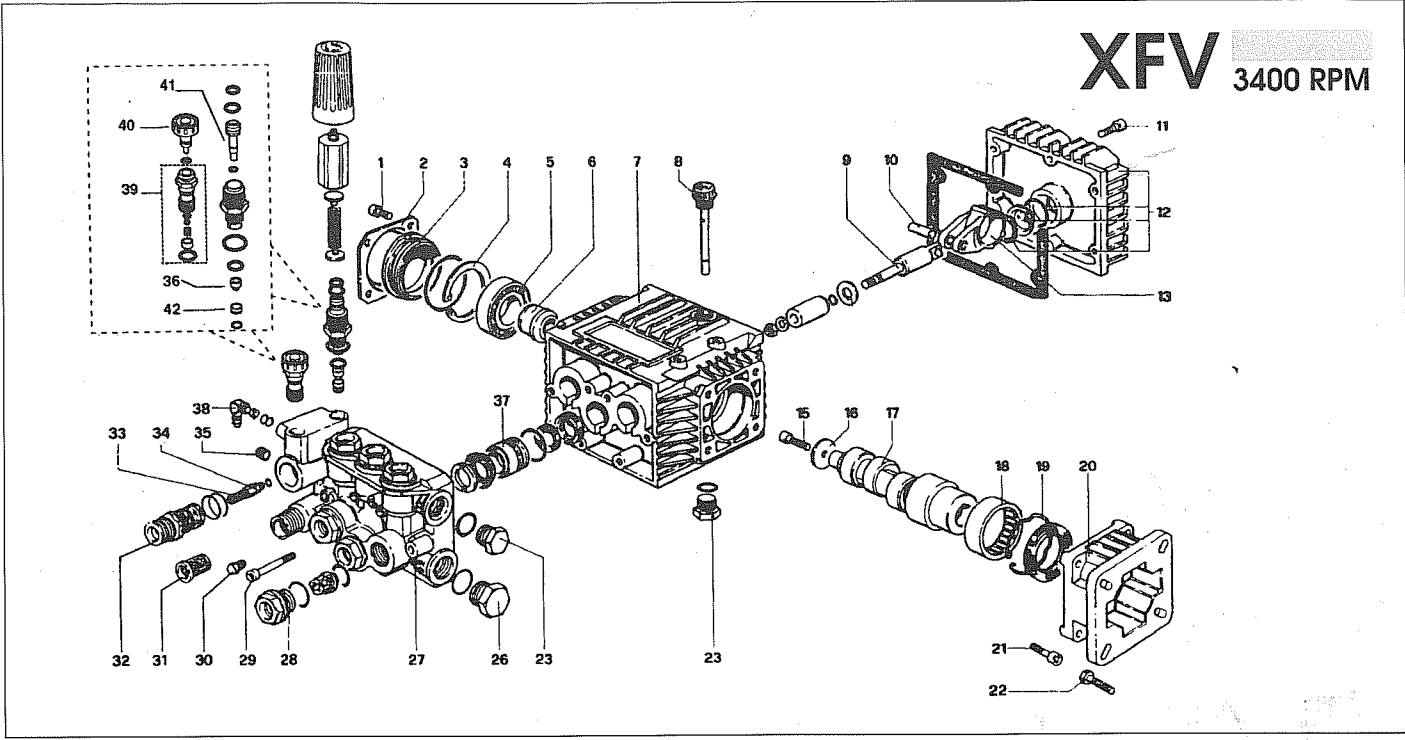


XFV 3400 RPM

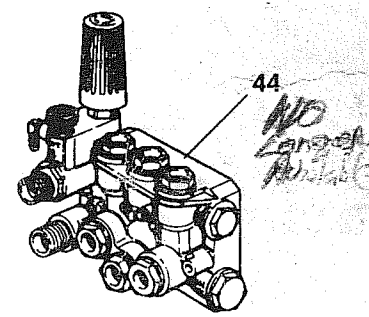


D VERSION

pos.	code	DESCRIPTION	Qty.
1	1321780	Bolt TCEI	4
2	1321420	Side Plate	1
3	1320320	Side Cover	1
4	1260790	Cir-clip	1
5	1320370	Bearing	1
6	1320330	Bearing Bushing	1
7	1320010	Housing	1
8	880130	Dip Stick	1
9	1260070	Piston Guide	3
10	1260080	Pin	3
11	1260760	Bolt TCEI	6
12	1329010	Oil Fill Sight	1
13	1260060	Con Rod Aluminum	3
13	1320140	Con Rod Bronze	3
15	780060	Bolt TCEI	1
16	780230	Washer	1
17	1321810	Crank shaft 3/4" 3GPM	1
18	1321190	Bearing	1
19	1321080	Cir-clip	1
20	---	F7 Flange	-
21	1200430	Bolt	4

pos.	code	DESCRIPTION	Qty.
22	621710	Bolt	4
23	880530	Cap / O-ring 3/8" Gas	2
26	820360	Cap 1/2" Gas	1
27	1322331	Pump Head Brass	1
28	1260160	Valve Cap	6
29	680570	Head Bolt	6
30	620301	Gauge Tap	1
31	1340260	Inlet Filter (optional)	1
32	1322710	Outlet Fitting 3/8" - NPT	1
33	1080091	Check Plunger	1
34	1540170	Outlet Plunger	1
35	62140	Tap	1
36	1460140	Interior Seat	1
37	1260151	Piston Guide	3
38	1260670	Detergent Hose Elbow	1
39	1269041	Detergent Regulator Assembly	1
40	1269010	Chemical Adjusting Knob	1
41	1460150	Superior Piston	1
42	1342700	Piston Seat	1
44	1269211	Complete Head & Valve Assembly	1

Head & Regulator Assembly



Repair Kit 2744

0:80

N.L.A.
See XTV for Head Assy.

REPAIR KITS

KIT 2628
Pistons

KIT 1864
Valves

KIT 1860
Oil Seals

KIT 1866
Water Seals

KIT 2040
O-Ring